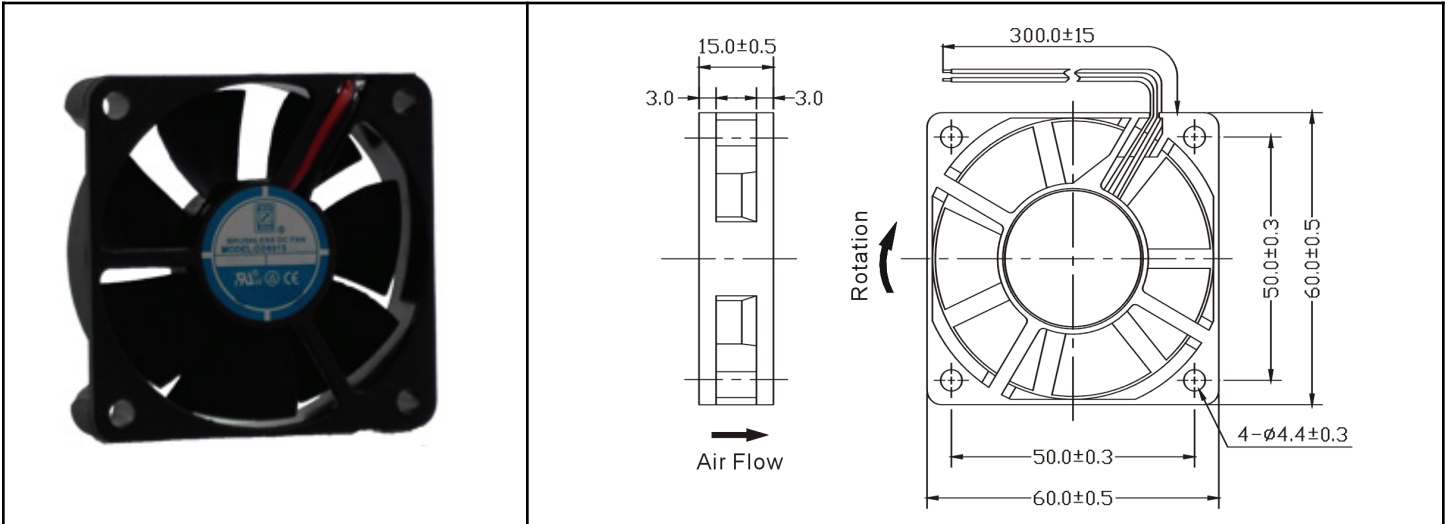


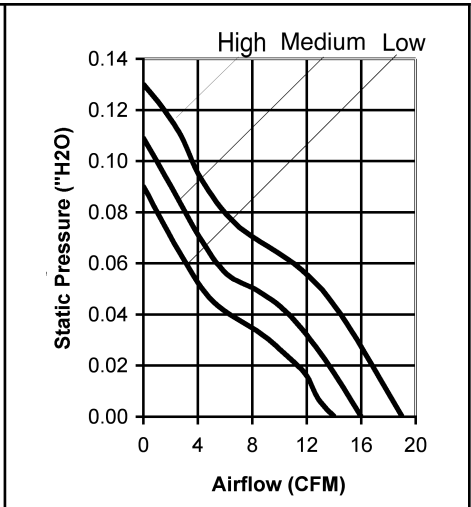
# OD6015 Series



DC Fan - 12V  
60x15mm (2.36"x 0.59")



Frame & Impeller	PBT, UL94V-O plastic	<b>Available Options:</b> Tachometer (FG) Alarm (RD) Other frame styles available 5V and 24V available on request  <u>Life Expectancy (L10)</u> Ball Bearing 60,000 hours (L10 at 40C) Sleeve Bearing 30,000 hours (L10 at 40C)  <u>Operating Temperature</u> Ball Bearing -20C ~ +80C Sleeve Bearing -10C ~ +50C
Connection	2x Lead wires	
Motor	Brushless DC, auto restart, polarity protected	
Bearing System	Dual Ball or Sleeve	
Insulation Resistance	10M ohm between leadwire and frame (500VDC)	
Dielectric Strength	1 second at 500 VAC, max leakage - 500 MicroAmp	
Storage Temperature	-30C ~ +90C	



Model Number	Speed (RPM)	Airflow (CFM)	Noise (dB)	Volts DC	Voltage Range	Amps	Max. Static Pressure (\"H2O)
OD6015-12H*	4500	19	37	12	6~13.8	.17	.13
OD6015-12M*	4000	16	32	12	6~13.8	.15	.11
OD6015-12L*	3500	14	29	12	6~13.8	.11	.09

\* Indicate "B" to specify Ball bearing or "S" to specify Sleeve bearing